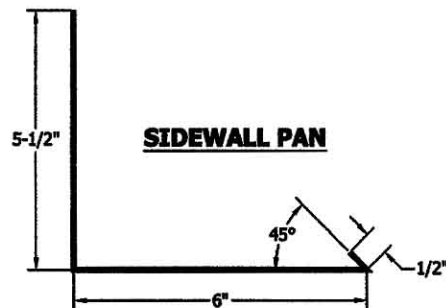
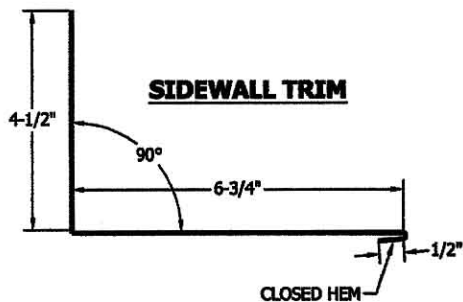


**THIS PAGE CONTAINS GENERAL APPLICATION DETAILS-  
ACTUAL INSTALLATION MAY REQUIRE ADDITIONAL ITEMS  
BASED ON GOOD ROOFING PRACTICES.**



<b>PERMATILE ROOFING</b> A Division of Advanced Aluminum
<b>DESCRIPTION: STANDARD SIDEWALL TRIM DETAIL WITH PAN</b>
<b>STYLE: FOR USE ON PLYWOOD DECKING</b>
<b>FILE: PTSIDEWALLWPAN-01</b>